

- NOTES**
1. USED AK-U0-RJ45-TB2P TERMINAL BLOCKS FOR TERMINATION TO 1769-SM2 MODULES.
 2. 120 Ω 0.25W TERMINATING RESISTORS ON LAST DRIVE
 3. CONTINUED ON DRW E02
 4. FOR DRIVES M11 TO M15 DWG E02
 5. ADVANCED INTERFACE CONTROLLER (AIC+) #1761NETAC FOR MICROLOGIX

References		By		Checked		Date	
Job No.	Designed	MM	MM	MM	MM	21/04/04	
Backup disc	Drawn	TU				22/04/04	
Project File No. GLUE LINE E01	AutoCAD	2005LT					
	Recomm'd						
	Approved						

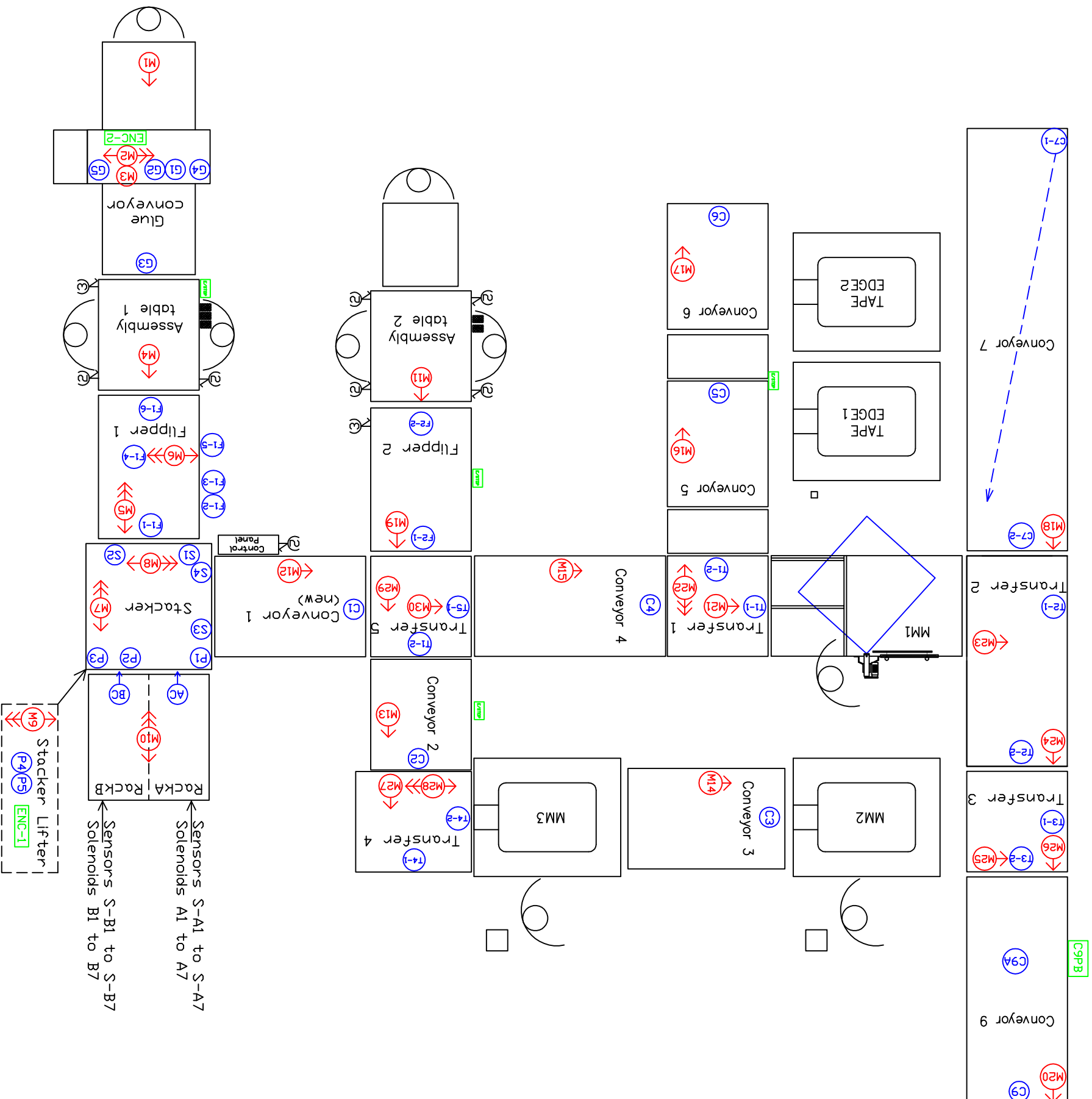
SLEEPMAKER BEDDING GLUE LINE ELECTRICAL & CONTROL EQUIPMENT

MOTORS 1-11 WIRING, COMMS, & CONTROL



DUNLOP BEDDING
90-92 HENDERSON VALLEY RD
HENDERSON AUCKLAND
NEW ZEALAND

Scales: (As original)	Contract No.
NTS	Drawing No. E01
Location: -	Rev. C
	Sheet 1 of 1 Sheets



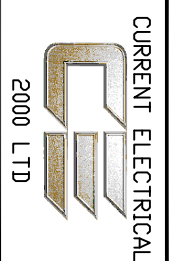
LEGEND	
	MOTOR x FORWARD & REVERSE
	MOTOR x FORWARD
	SENSOR C=CONVEYOR, F=FLIPPER T=TRANSFER, S=STACKER
	SOCKET OUTLET 2 = DOUBLE SINGLE PHASE, 3 = THREE PHASE.
	EMERGENCY STOP
	FOOT PEDAL

AS BUILT
Current Electrical 2000 Ltd

Rev.	Reason	By	Date
4	AS BUILT	SJK	01 DEC 08
3	NEW MANUAL ASSEMBLY LINE	MNM	28 OCT 08
2	EXTRA SPACE CREATED	MNM	06 NOV 07
1	SENSOR C9A ADDED	MNM	14 DEC 06
0	FOR CONSTRUCTION	MNM	14 NOV 06

References	By	Checked	Date
Job No.	Designed	MNM	14NOV04
Backup disc	Drawn	TJU	-
Project File No. GLUELINE LAYOUT	Autocad	2005 LT	-
	Recomm'd		
	Approved		

SLEEPMAKER ELECTRICAL & CONTROL EQUIPMENT GLUE LINE & ASSEMBLY ELECTRICAL LAYOUT



Sleepmaker

Scales:		Contract No.	
(A1 original)	NTS		
Location: -		Drawing No.	Rev.
		ELECT LAYOUT	4
		Sheet 1 of 1	Sheets